

**Voluntary Product Safety Alert – Hi-Bay Luminaires
Control Gear NELSON NGBH250 & NGBH400 Series**

Legrand Australia Pty Ltd (“Legrand Australia”) has become aware of a potential concern with Nelson Brand Hi-Bay luminaires, where safety lanyards were not installed and/or the lanyards were installed incorrectly.

In the unlikely event of a suspension system failure, lanyards act as a backup mechanism, keeping the fitting secured and preventing it from falling to the ground. Although the probability of a suspension system failure is quite low and generally happens only in abnormal circumstances such as when the luminaire receives a severe impact (i.e. an impact from a ball in a sporting arena, for instance),

Legrand Australia is addressing the concern by having all installations, where these fittings have been installed, checked and security lanyards fitted as required.

The products that may be affected were available to the market under the description, model and period of sales listed below:

Product Description	Product Model	Control Gear model	Period of sales
Hi-Bay Luminaires	NHB250 Series NHB250HA NHB250HAC NHB250HF NHB250HFC NHB250HL NHB250HP NHB250MA NHB250MAC NHB250MF NHB250MFC NHB250ML NHB250MP	NGBH250H NGBH250M NGBH250MBI	From 2005
Hi-Bay Luminaires	NHB400 Series NHB400HA NHB400HAC NHB400HF NHB400HFC NHB400HL NHB400HP NHB400MA NHB400MAC NHB400MF NHB400MFC NHB400MLNHB400MP	NGBH400H NGBH400M NGBH400MBI	From 2005

The NELSON NGBH250 and NGBH400 series luminaires control gear can be identified by the photograph below:



The luminaire product identification label located on the control gear body provides positive identification to the relevant product model code (as shown below)



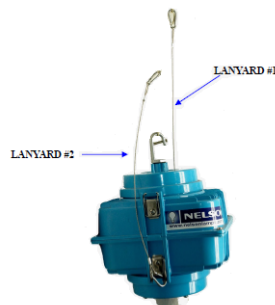
The potential relevant luminaires can be identified by:

- either no visible lanyard cables attached to the luminaire body, or
- lanyards not attached to secured fixing points (WLL 60Kg).

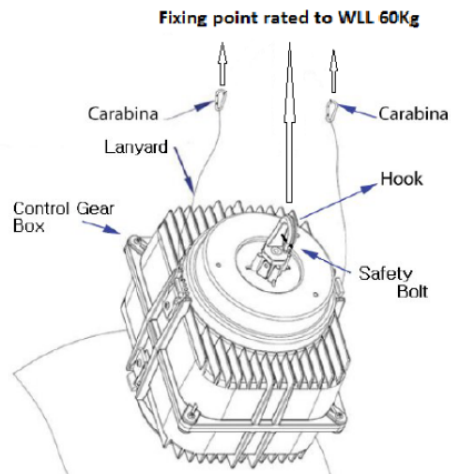
EXAMPLES:



Control Gear **without** Lanyard



Control Gear **with** Lanyard



Hi-Bay installation considerations

Action Required:

If you have installed or sold any of the above references, we would be grateful if you could call or e-mail our customer service department and provide them the required information so checking and if necessary rectification can take place.

E-mail to hi.bay@hpmlegrand.com.au , alternatively you can contact us by phone on **1300369777** (press option 1) on weekdays from **7.30** am to **5.00** pm, or Fax **02 87194470**.

Thank you,

Dennis Galvin
Technical Director
Legrand Australia Pty Ltd